

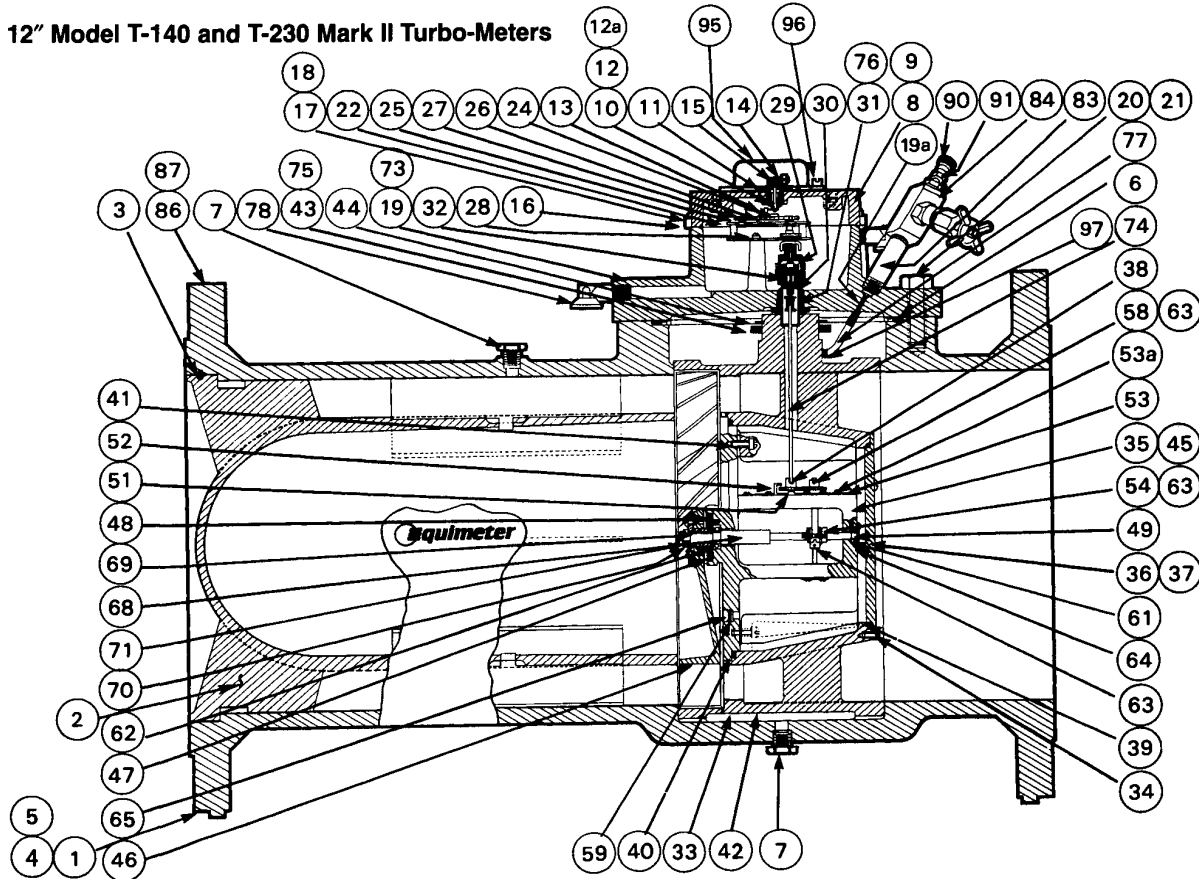


**Parts List
12" Model T-140 and T-230
Mark II Turbo-Meter**

**Parts List
12" Model T-140 and T-230
Mark II Turbo-Meters**

**WORKING PRESSURES:
220, 720, 1440 psi**

12" Model T-140 and T-230 Mark II Turbo-Meters



Throughout this parts list

1 Refers to meter serial numbers prior to 6049257

2 Refers to meter serial numbers after 6049256

Parts without these designations are common to all T-140 & T-230 meters.

T-140 and T-230 Mark II Turbo-Meter General Assembly

ILL. NO.	QTY. REQ'D.	PART DESCRIPTION	PART NUMBER
**1	1	Body Assembly, Ductile Iron, 220# W.P.	006-31-611-00
		Body Assembly, Cast Steel, Steel, ANSI 300, 720# W.P.	006-31-611-50
		Body Assembly, Cast Steel, ANSI 600, 1440# W.P.	006-31-611-80
		Body Assembly, Cast Steel, ANSI 600, 1440# W.P., With Ring Joint Flanges	006-31-611-81
2	1	Nose Cone With Straightening Vanes	006-31-305-01
3	3	Nose Cone Retainer, #8-32 x 1/4" Long Set Screw	904713
4	1	Mfg. Nameplate, 220# W.P. T-140	006-31-073-01555
		Mfg. Nameplate, 720# W.P. T-140	006-31-073-50555
		Mfg. Nameplate, 1440# W.P. T-140	006-31-073-80555
		Mfg. Nameplate, 220# W.P. T-230	006-51-073-01555
		Mfg. Nameplate, 720# W.P. T-230	006-51-073-50555
5	4	Mfg. Nameplate Drive Screw, #4 x 3/8" Long Round Head Brass Drive Screw	903004

ILL. NO.	QTY. REQ'D.	PART DESCRIPTION	PART NUMBER
*6	1	Top Plate to Body, "O" Ring, BUNA	950192
		Top Plate to Body, "O" Ring Viton, (Optional)	950256
7	2	Steel Pipe Plug, 1/4"-18	906055
8	1	Index Plate Assembly (Includes Ill. Nos. 9-11 & 13)	006-24-504-21
9	1	Index Plate	006-24-004-21
10	1	Index Drive Shaft Assembly (Includes Ill. Nos. 12, 14 & 15)	006-24-554-01
11	1	Index Shaft Gland Assembly (Includes Ill. Nos. 11a-c)	006-24-323-00
11a	1	Index Shaft Gland	006-24-023-00
11b	1	Top Bushing	006-24-052-01
11c	1	Bottom Bushing	001-60-052-62
12	1	Index Shaft	006-24-054-02
12a	1	Retaining Ring	950578
13	1	Bottom Index Shaft Dog	006-24-071-00



12" Model T-140 and T-230 Mark II Turbo-Meters

ILL. NO.	QTY. REQ'D.	PART DESCRIPTION	PART NUMBER
14	1	Top Index Shaft Dog	006-24-061-04
*15	1	Shear Pin, Top Index Shaft Dog	006-24-056-00
*16	1	Gasket, Index Plate to Top Plate	006-24-160-03
17	3	Cap Screw, Index Plate to Top Plate, 1/16"-18 x 3/4" Long Hex Head Steel	910028
18	1	Seal Screw, Index Plate to Top Plate, 1/16"-18 x 3/4" Long Hex Head Steel	002-65-057-02
19	1	Top Plate Assembly, Ductile Iron, 220# W.P. (All Top Plates Are Drilled For Saturable Core Pulse Generator & Include Oil Tubing)	006-31-303-03
		Top Plate Assembly, ANSI 300 & 600, 720# & 1440# W.P., Steel	006-31-303-86
19a	1	1/8 Dia. Aluminum Oil Tube	006-26-079-01
20	13	Cap Screw, Top Plate to Body, 220# W.P., 1/8"-11 x 2" Hex Head	910159
		Cap Screw, Top Plate to Body, 720# & 1440# W.P., 1"-8 x 2 3/4" Hex Head, Steel Gr. 8	906540
21	1	Seal Screw, Top Plate to Body, 220# W.P., 1/8"-11 x 2" Long Hex Head, Steel Gr. 5	006-31-057-00
		Seal Screw, Top Plate to Body, 720# & 1440# W.P., 1"-8 x 2 3/4" Long Hex Head, Steel Gr. 8	006-31-057-80
*22	1	Intermediate Gear Assy without Change Gears, 1000 CuF/Rev, T-140	006-24-212-40
		Intermediate Gear Assy without Change Gears, 10 CuM/Rev, T-140	006-24-212-41
		Intermediate Gear Assy without Change Gears, 1000 CuF/Rev, T-230	006-61-212-50
		Intermediate Gear Assy without Change Gears, 10CuM/Rev, T-230	006-61-212-00
24	1	Intermediate Gear Assy without Change Gears, 100 CuF/Rev, T-230	006-61-212-60
		Large Change Gear (Note: "XX" Refers to Gear Blank Size, "YY" Refers to Number of Gear Teeth. Digits Must Be Substituted For "XX" & "YY" When Ordering. See Drawing SD-1034-C1)	006-24-3XX-YY
25	1	Small Change Gear (See Note Above)	006-24-3XX-YY
26	1	Intermediate Gear Output Dog (Top)	022-66-071-03
26a	1	Intermediate Gear Driver Dog (Bottom)	006-24-061-20
27	1	Nut, #4-40 Hex Stainless Steel	907639
28	1	#8-32 x 3/8" Long Head Stainless Steel Machine Screw	903371
28a	3	#8 Lock Washer	950371
*29	1	Follower Magnet Assembly (Includes Follower Magnet Holder & Ill. Nos. 29a-d)	006-24-313-20
		Follower Magnet Assembly For Units with Slot Sensor (Includes Follower Magnet Holder & Ill. Nos. 29a-d)	006-24-313-22
29a	1	Retaining Ring	904691
29b	2	Bearing	905462
29c	1	Spacer	006-24-106-20
30	1	Driver Magnet Well & Post Assembly, 220# W.P.	006-31-244-00
		Driver Magnet Well & Post Assembly, 720# & 1440# W.P.	006-31-244-80
31	1	Driver Magnet Well "O" Ring, Buna-N	950193
		Driver Magnet Well "O" Ring, Viton (Optional)	908264
*32	1	Driver Magnet Holder & Bearing Assembly (Includes Ill. Nos. 32a-d)	006-31-334-00
32a	1	Driver Magnet Holder & Groove Pin Assembly (With Magnet)	006-31-234-02

ILL. NO.	QTY. REQ'D.	PART DESCRIPTION	PART NUMBER
32b	1	Bearing Retaining Ring	904691
32c	2	Bearing	905462
32d	1	Spacer	006-22-106-03
33	1	Complete Internal Housing Assembly, Calibrated With Change Gears, All Pressures With Viton Seals, T-140	006-31-302-02
		Complete Internal Housing Assembly, Calibrated With Change Gears, All Pressures With Viton Seals, T-230	006-61-302-02
		All Pressures with Buna-N Seals, T-140	006-31-302-03
		All Pressures with Buna-N Seals, T-230	006-61-302-03
34	3	#10-24 x 3/8" Long Round Head Stainless Steel Machine Screw	903448
35	1	Rotor Bracket & Worm Wheel Assembly (Includes Ill. Nos. 38, 45-71), T-140	[1] 006-31-309-02 [2] 006-31-309-04
		Rotor Bracket & Worm Wheel Assembly (Includes Ill. Nos. 38, 45-71), T-230	006-61-309-01
36	1	Internal Housing Plate Assembly (Includes Ill. Nos. 37, 59 & 65)	006-31-210-00
†36	1	Internal Housing Plate Assembly (Includes Ill. Nos. 37, 59 & 65)	006-31-210-01
37	1	Internal Housing Plate	006-31-010-01
		Internal Housing Plate	006-31-010-02
38	1	44T Slotted Drive Gear	006-31-444-44
** 39	1	"O" Ring, Internal Housing Plate to Internal Housing, Buna-N	934337
		"O" Ring, Viton (Optional)	950261
†39	1	"O" Ring, Buna-N	934334
		"O" Ring, Viton	950551
* 40	1	"O" Ring, Bracket Assembly to Internal Housing, Buna-N,	934345
		"O" Ring, Viton (Optional)	906893
41	3	#10-24 x 3/8" Fillister Head Stainless Steel Machine Screw	903391
41a	6	Lock Washer, External 3/16" Steel	904016
†42	1	Internal Housing (Less Oil Tubing)	006-31-002-01
**42	1	Internal Housing (Less Oil Tube)	006-31-002-03
42b	1	Dowel Pin, 1/4" Diameter x 1 1/4" Long Stainless Steel	950214
43	1	Adapter Plate & Bushing Assembly	006-31-262-00
44	1	E-Clip	927448
45	1	Bearing Bracket and Pin Assembly, T-140	[1] 006-31-209-01 [2] 006-31-209-03
		Bearing Bracket and Pin Assembly, T-230	006-31-209-03
46	1	Rotor and Hub Assembly, T-140	[1] 006-31-250-00 [2] 006-31-250-02
		Rotor and Hub Assembly, T-230	006-61-250-01
47	1	Bearing Retainer, Rotor, T-140	[1] 006-31-117-00
		Bearing Retainer, Rotor, T-140 [2] and T-230	006-31-117-02
48	2	#4-40 x 3/8" Long Fillister Head Stainless Steel Machine Screw	903340
48a	2	#4 External Stainless Steel Lock Washer	950078
49	1	Bearing Retainer Plate, Downstream End, T-140 [2] & T-230	006-32-117-01
		Bearing Retainer Plate, Downstream End, T-140	[1] 006-31-117-01
50	2	Bearing Retainer Plate	006-22-117-01
51	1	Gear Post	006-31-028-00
52	1	Gear Retainer	006-24-080-00
53	1	Oil Reservoir Cover Plate	006-31-079-00
53a	6	#4-40 x 3/8" Long Round Head Stainless Steel Machine Screw	907401
54	1	Worm, Stainless Steel	006-41-017-00

* Recommended Spare Parts

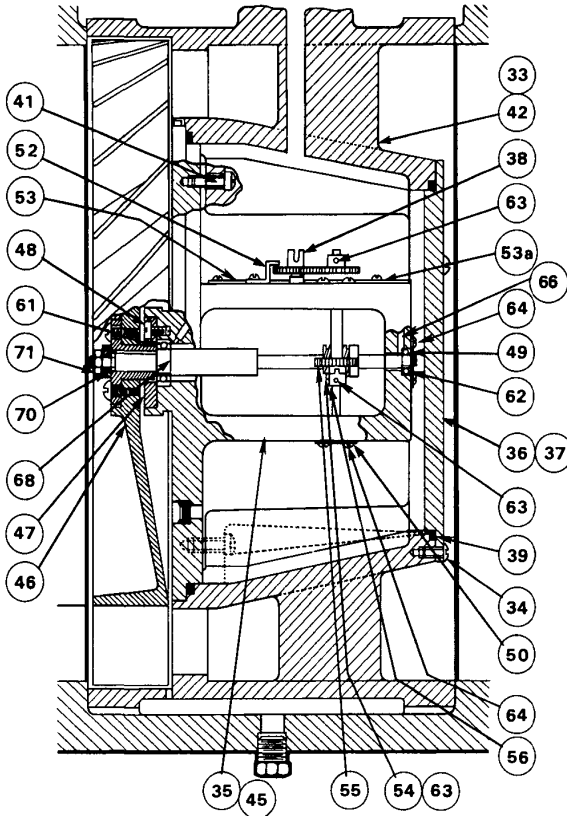
** Prior to S/N 1260133, 1230181, 1210606

† After 6-25-87

[1] Refers to meter serial numbers prior to 6049257

[2] Refers to meter serial numbers after 6049256

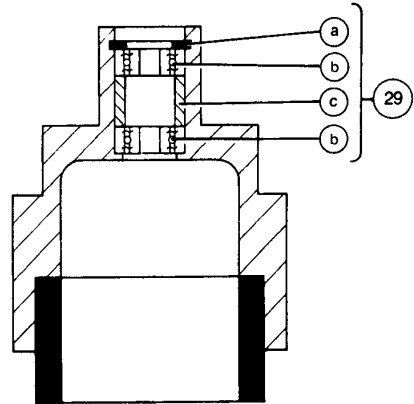
12" Model T-140 and T-230 Mark II Turbo-Meters



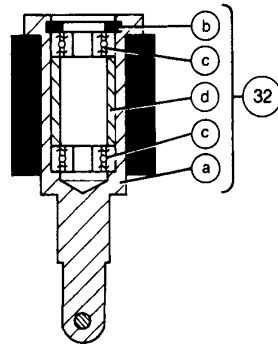
Rotor, Bracket and Internal Housing Assembly

ILL. NO.	QTY. REQ'D.	PART DESCRIPTION	PART NUMBER
55	1	Worm Wheel	006-24-035-00
56	1	Worm Wheel Collar	006-24-070-02
57	1	Worm Wheel Shaft	006-31-046-00
58	1	44T Idler Gear, Stainless Steel	006-31-344-44
59	2	Filter Screen	006-22-083-01
60	2	Worm Wheel Shaft Bearing	908660
61	1	Upstream Rotor Shaft Bearing, T-140	1 906019
		Upstream Rotor Shaft Bearing, T-230 & T-140 2	950311
62	1	Downstream Rotor Shaft Bearing, T-140	905435
		Downstream Rotor Shaft Bearing, T-230 & T-140 2	1 950306
63	5	#6-32 x 1/8" Long Socket Stainless Steel Nylon Locking Set Screw	950375
64	6	#4-40 x 1/4" Long Round Head Stainless Steel Machine Screw	903025
65	2	Retaining Ring	1191430
66	2	Oiler Felt	904419
68	1	Rotor Shaft, T-140	1 006-31-024-00
		Rotor Shaft, T-140	2 006-31-024-01
		Rotor Shaft, T-230	006-31-024-01
69	1	Key, Stainless Steel	906111
70	1	Spherical Washer Set	908723
71	1	Nut, 1/4"-20 ESNA Hex Head Stain. Steel	908661

*Recommended Spare Parts



Follower Magnet and Bearing Assembly



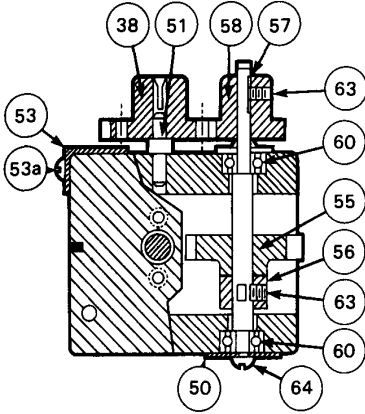
Driver Magnet Holder and Bearing Assembly

ILL. NO.	QTY. REQ'D.	PART DESCRIPTION	PART NUMBER
73	1	Measuring Module, Complete, 220# W.P. (Includes Ill. Nos. 6, 19, 22, 28-33, 74-84, 88-91 & 97)	006-31-502-01
		Measuring Module, Complete, 720# & 1440# W.P. (Includes Ill. Nos. 6, 19, 22, 28, 28a, 29, 30, 31, 32, 33, 74, 75-78, 83, 84, 88-91 & 97)	006-31-502-81
		Measuring Module, Complete T-230 All W.P. (Includes Ill. Nos. 6, 19, 19a, 22, 28-33, 74-84, 88-91, 97)	Contact an Equimeter Sales Representative
74	1	Coupling Shaft, 220# W.P.	006-31-345-00
		Coupling Shaft, 720# & 1440# W.P.	006-31-345-80
75	2	3/8"-16 x 1" Hex Head Stainless Steel Machine Screw, Adapter Plate to Top Plate	903576
*76	1	Seal, Buna	904214
		Seal, Viton (Optional)	906736
77	1	Oil Tubing, 3/8" O.D. x .031" Wall	99993
78	2	Vent Cap, 1/2" Assembly	006-24-505-01
83	1	1/4" x 1/4" Pipe, Hex Nipple, 3" Long, Steel Sch. 80	950760
84	1	1/4" Valve, Bar Stock	950710
86	1	Inlet Badge	015-16-090-02
87	2	#2 x 1/8" Long Round Head Brass Drive Screw	903003

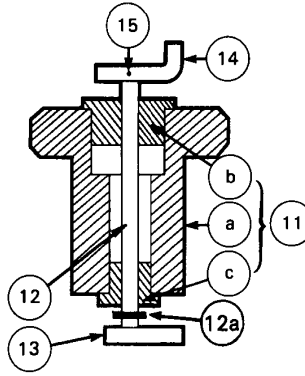
1 Refers to meter serial numbers prior to 6049257

2 Refers to meter serial numbers after 6049256

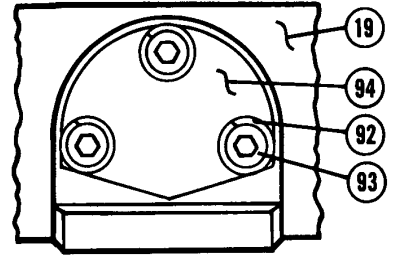
12" Model T-140 and T-230 Mark II Turbo-Meters



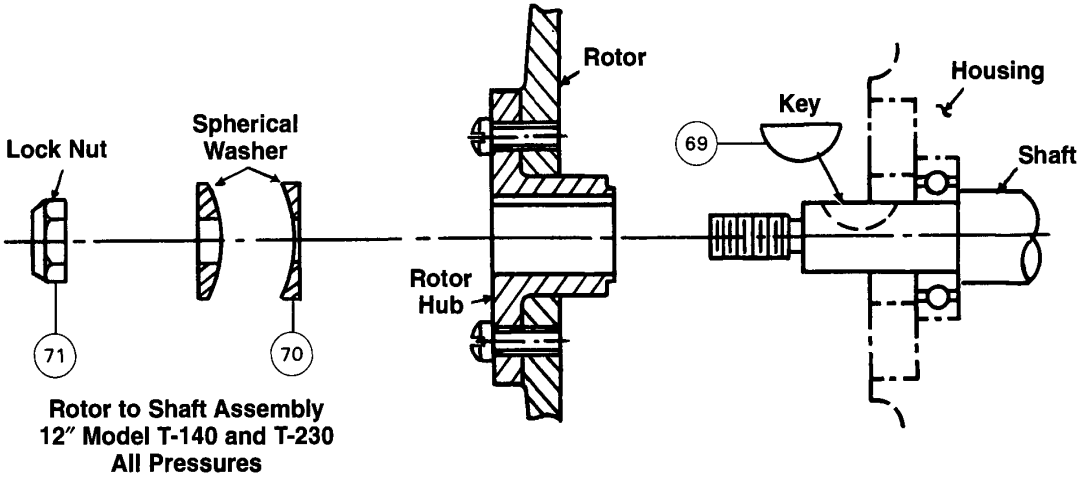
**Rotor Bracket and Worm Wheel Assembly
(View From Inlet End)**



Index Shaft Gland Assembly



Wiring Connector Hole Cover on Side of Top Plate



**Rotor to Shaft Assembly
12" Model T-140 and T-230
All Pressures**

ILL. NO.	QTY. REQ'D.	PART DESCRIPTION	PART NUMBER
88	1	Mfg. Badge, Affixed to Top Plate	006-31-073-11555
89	4	#0 x 1/8" Long Round Head Brass Drive Screw	903001
90	1	Alemite Fitting #1650	006-24-145-00
91	1	1/4" x 1/8" Male-Female Bushing, Steel (Used With Alemite Fitting Ill. No. 90)	950759
92	3	1/4" Stainless Steel Lock Washer	904030
93	3	1/4"-20 x 1/8" Long Socket Head Stainless Steel Screw	908179
94	1	Cap-Probe Mounting Hole	006-24-129-00
95	1	Cover Stuffing Box	225-16-131-01
96	2	#8-32 x 3/16" Round Head Steel Machine Screw (Used With Ill. No. 43)	914450
97	2	Compression Ring	950682

Optional Items

Oil, 4 ounce bottle	006-22-405-01
Oil, 1 Gallon Can	006-22-405-02
Lubrication Hand Gun	006-24-400-00
Blank Top Plate, 220# W.P.	006-31-003-04
Blank Top Plate, 720# & 1440# W.P.	006-31-003-82



805 Liberty Boulevard
DuBois, PA 15801
814-375-8875
Fax 814-375-8460

Authorized Distributor

All products purchased and services performed are subject to Sensus' terms of sale, available at either; <http://na.sensus.com/TC/TermsConditions.pdf> or 1-800-METER-IT. Sensus reserves the right to modify these terms and conditions in its own discretion without notice to the customer.

This document is for informational purposes only, and SENSUS MAKES NO EXPRESS WARRANTIES IN THIS DOCUMENT. FURTHERMORE, THERE ARE NO IMPLIED WARRANTIES, INCLUDING WITHOUT LIMITATION, WARRANTIES AS TO FITNESS FOR A PARTICULAR PURPOSE AND MERCHANTABILITY. ANY USE OF THE PRODUCTS THAT IS NOT SPECIFICALLY PERMITTED HEREIN IS PROHIBITED.